

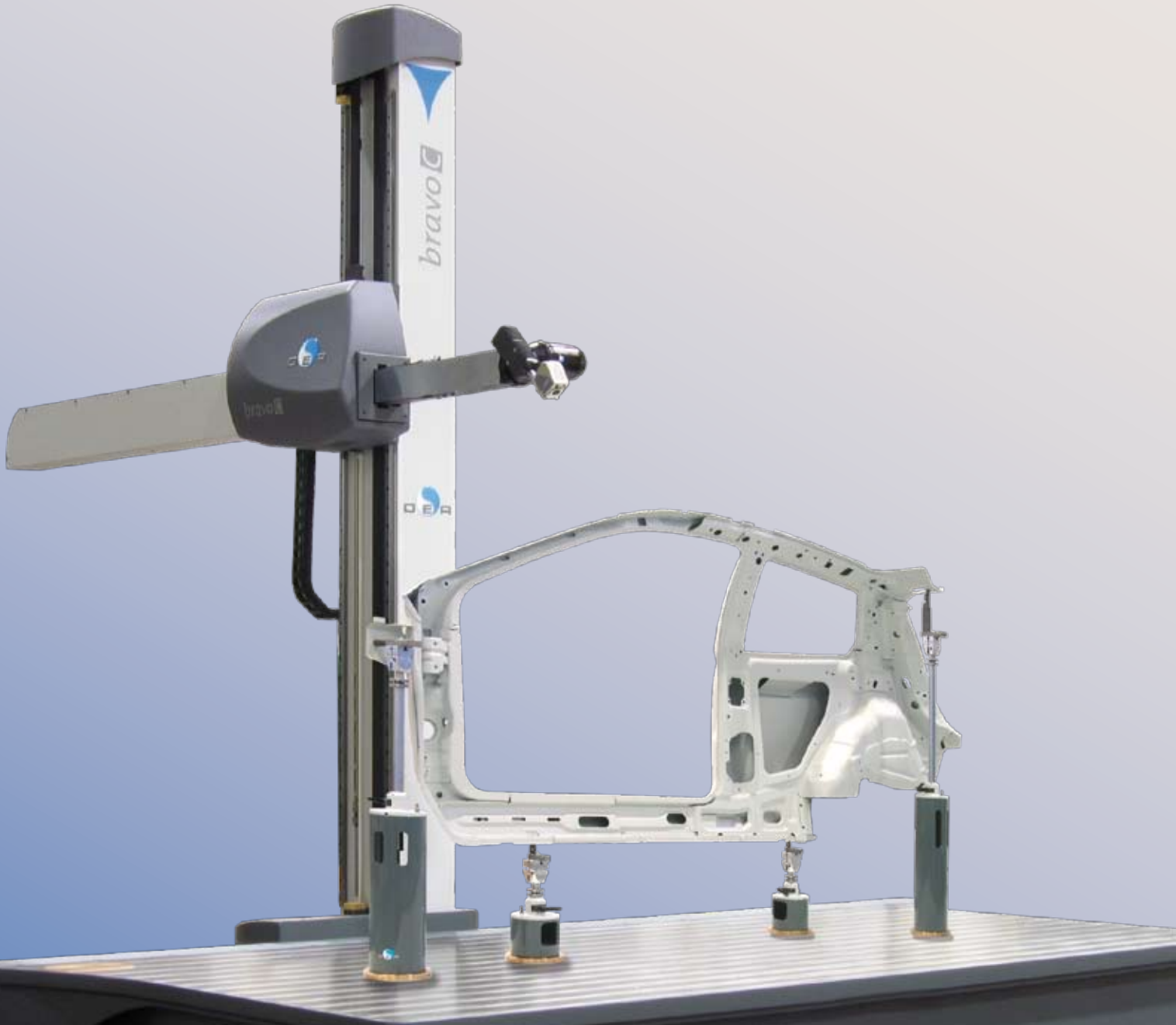


FIVE U-nique
Flexible Fixturing Solution



Serving Metrology Worldwide

www.hexagonmetrology.com



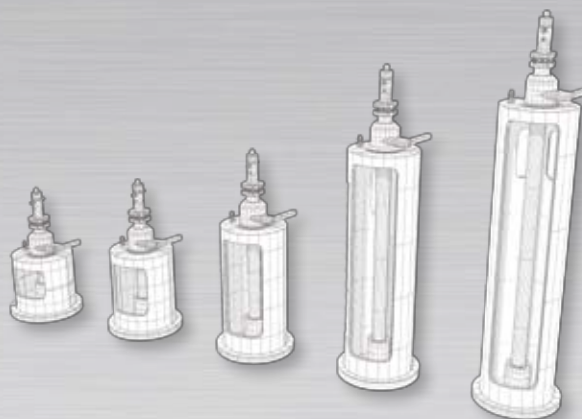
 **HEXAGON**
METROLOGY

- **FLEXIBLE** – The same set of columns for every type of fixturing.
- **VERSATILE** – FIVE U-nique allows the performing of all dimensional inspection activities.
- **INTEGRATED** – The measurement software guides the operator through fixturing preparation.
- **COMPACT** – FIVE U-nique is the most compact fixturing system now available on the market.
- **FAST** – From fixturing design to dimensional inspection in few clicks.



Fixturing in Record Time!

The patented FIVE U-nique system is the fastest fixturing solution for CMMs now available on the market.



The FIVE U-nique fixturing system is made up of a series of columns that provide support for each fixture point. These columns are available in various heights thus making it possible to put the parts to be measured in body position.

An air pad located at the base of the column ensures smooth, frictionless movement of the column on the work table. A repeatable locating device fitted to the ram of the measuring machine is guided by the measurement software to the correct position.

The operator can therefore quickly place the column on the theoretical point calculated via software. Powerful magnets built into the air pads hold the column in position once the air flow stops.

A wide variety of modular interchangeable elements allow specific locating and clamping devices for every fixture point to be built. Once the part locating module is built, it can be positioned and removed countless times due to the repeatability of the column clamping system. Even parts having no inherent rigidity, can therefore be clamped in mathematical position without using costly rigid gauges.

In addition to that, all major manufacturers of modular fixturing components now offer specific interface modules to the FIVE U-nique fixturing system, thus allowing you to use the set of fixtures available ... in record time!

 **HEXAGON**
METROLOGY

Hexagon Metrology S.p.A.
DEA Division
Strada del Portone, 107/117
10095 Grugliasco (TO)
Italy
Tel. +39 011 4025111
Fax +39 011 4025628
E-Mail info.dea@hexagonmetrology.com

Vertrieb Deutschland:
Hexagon Metrology GmbH
Siegmond-Hiepe-Strasse 2 - 12
35578 Wetzlar
Deutschland
Tel. +49 (0)6441 207 0
Fax +49 (0)6441 207 122
E-Mail contact.de@hexagonmetrology.com